





Mounting and operating instruction

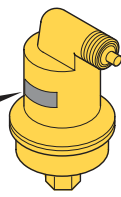
For article no's starting with AB, except for ABS



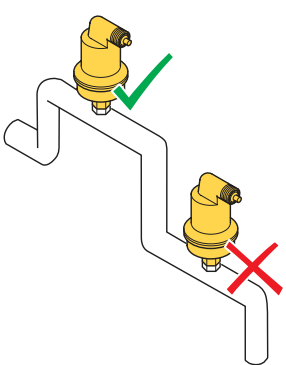
17.656-03

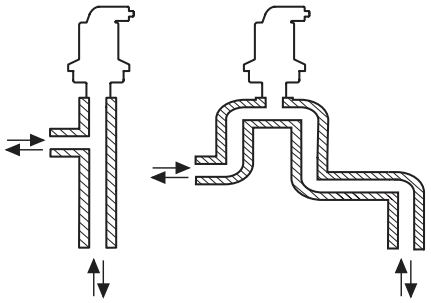
 


 0- ... bar
 0- ... °C




Acc.PED (97/23/EC§3.3)

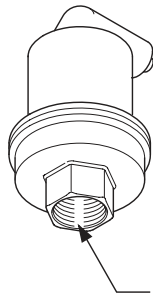




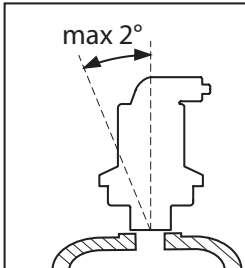


< 50% glycol





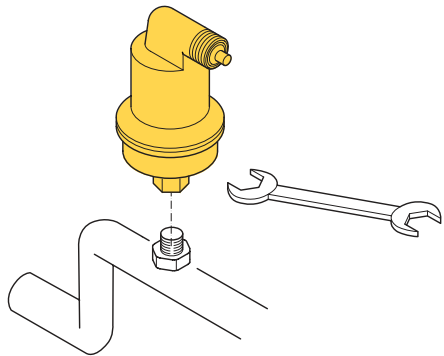




Rp½




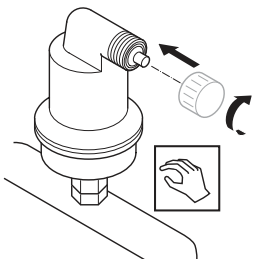
max 2°


  0 bar

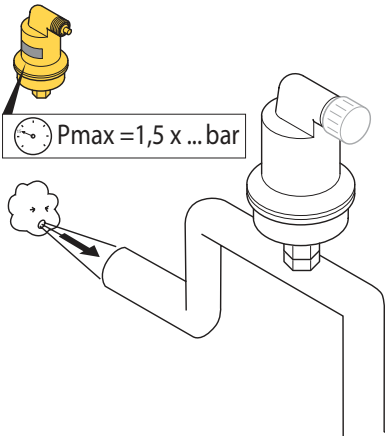



 

 0 bar



 Pmax = 1,5 x ... bar



 0 bar

