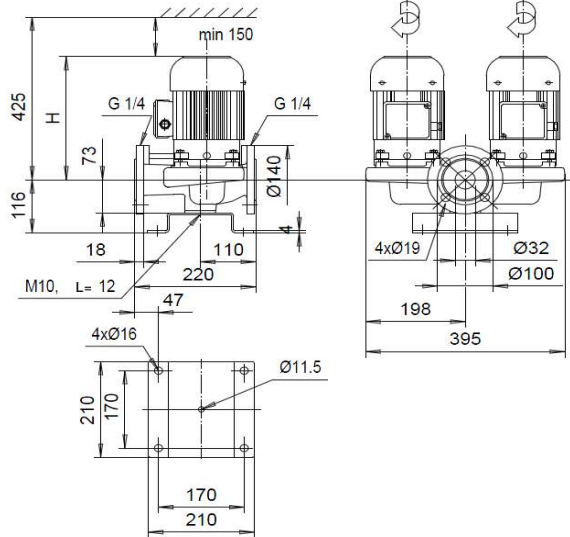
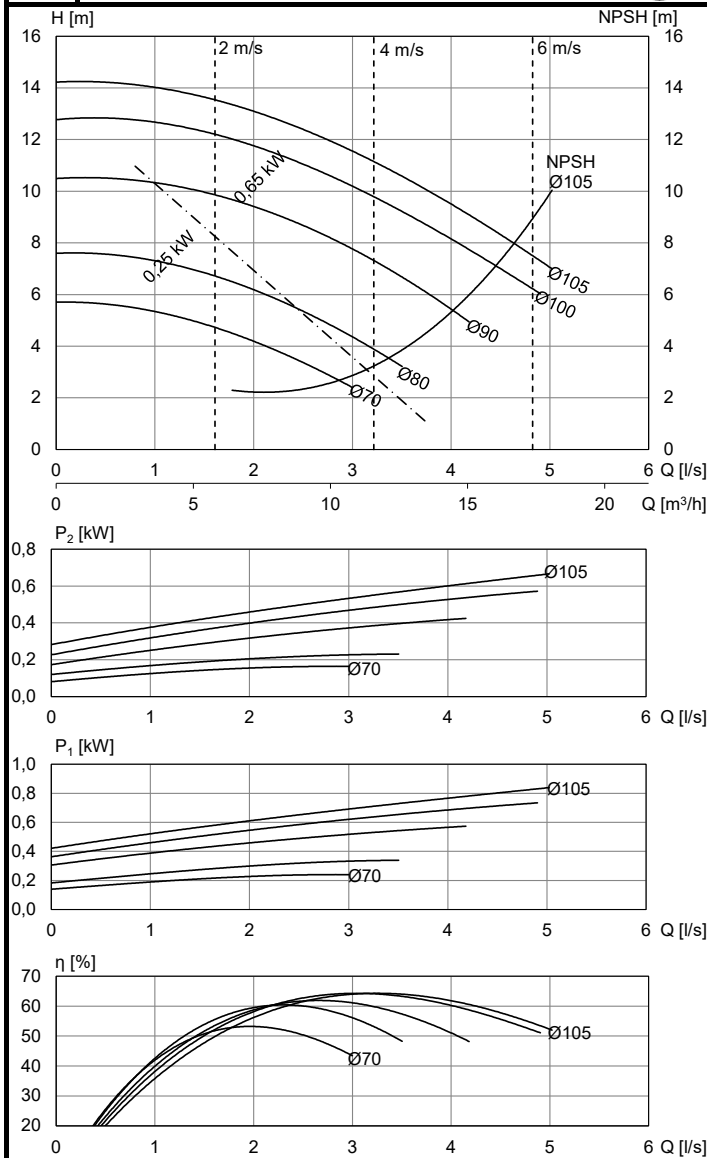


T-32A/2

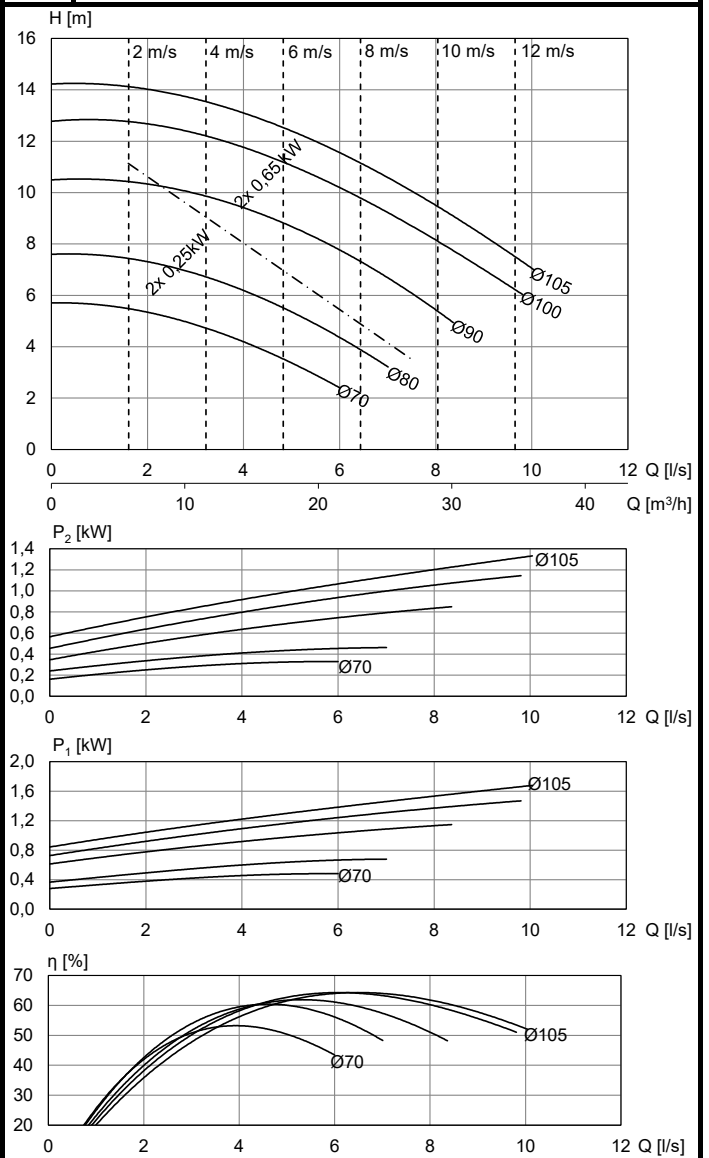


| ZH05 | Motor 400V | P_{2N} [kW] | I_N [A] | I_{max} [A] | [kg] | H [mm] |
|------|-------------|---------------|-----------|---------------|------|--------|
| | OP-741 N12 | 0,25 | 0,66 | 0,75 | 30 | 210 |
| | KP-80-1 N12 | 0,65 | 1,39 | 2,70 | 42 | 345 |

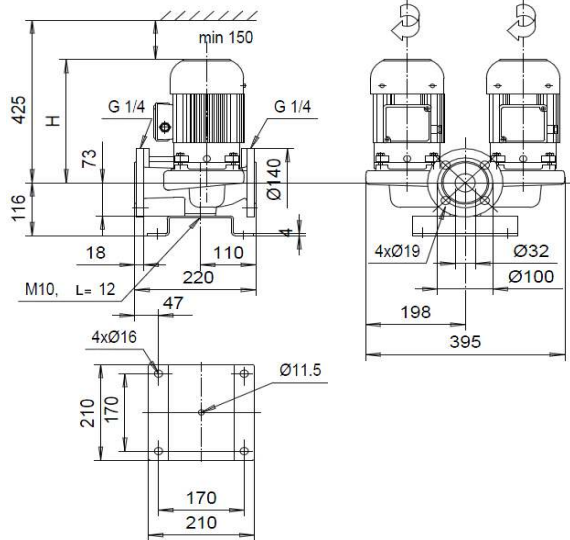
50 Hz 3000r/min DN 32 One unit running



50 Hz 3000r/min DN 32 Two units running



T-32A/2



| ZH09 | Motor 380-400V(460-480V) | P_{2N} [kW] | I_N [A] | I_{max} [A] | [kg] | H [mm] |
|------|--------------------------|---------------|-------------|---------------|------|--------|
| | OP-741 N12 | 0,25 (0,7) | 0,67 (0,81) | 0,75 | 30 | 210 |
| | KP-80-1 N12 | 0,65 (1,4) | 0,87 (0,77) | 2,70 | 42 | 345 |
| | KP-80-1 N12 | 0,65 (1,4) | 0,87 (0,77) | 2,70 | 42 | 345 |

