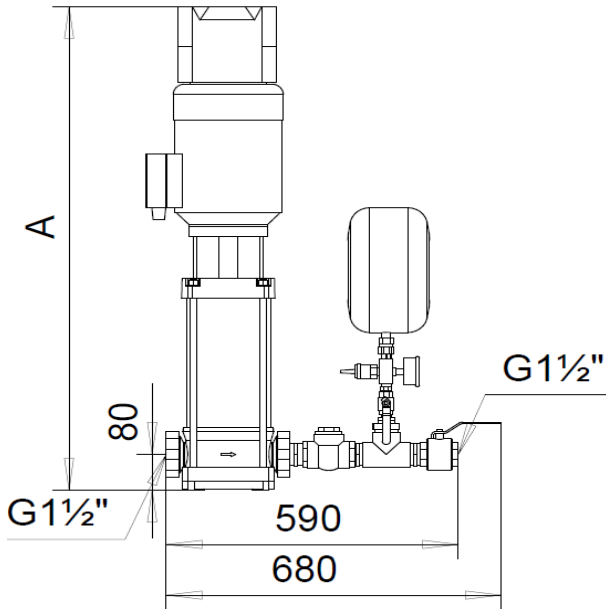
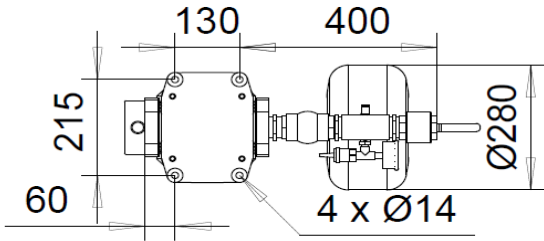


G1½"

PN10-16

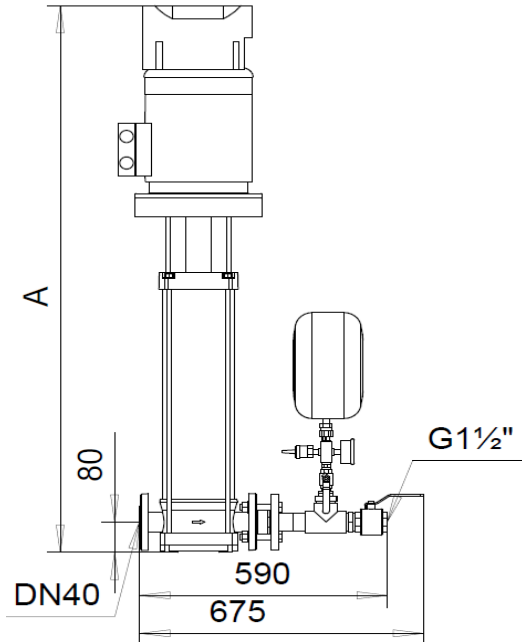
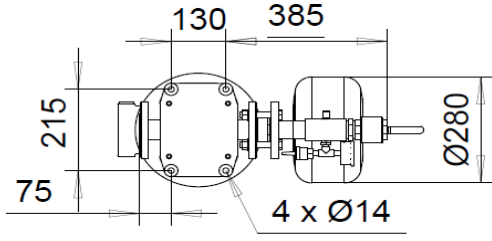
Version A = Standard



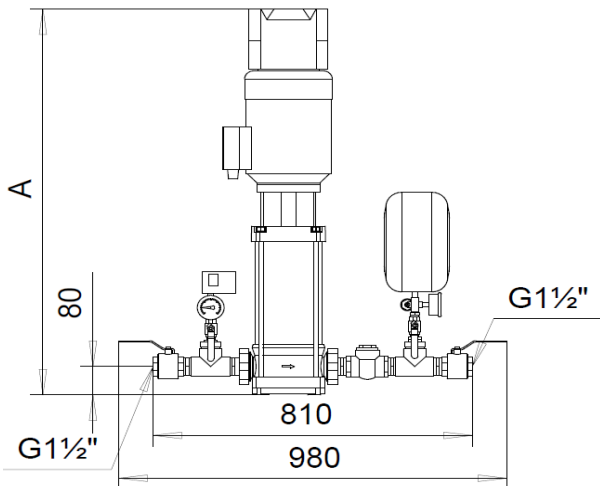
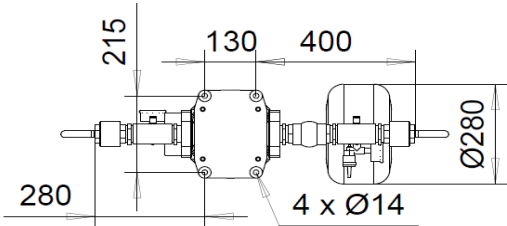
DN40 / G1½"

PN25

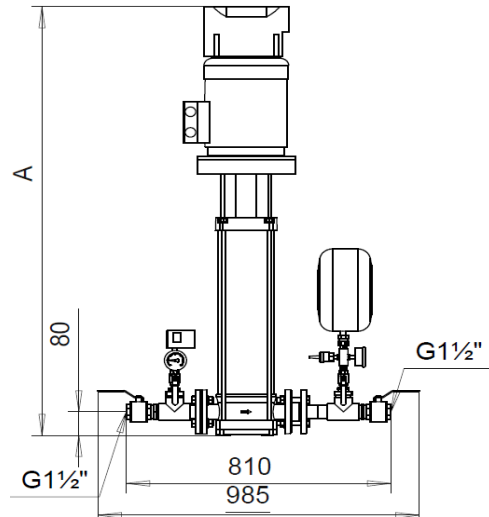
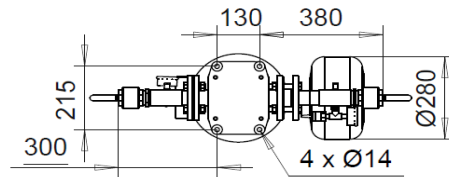
Version A = Standard



Version B



Version B



Free space 250 - 300 mm required on the top of the pump

Type	PN [bar]	P _{2,N} [kW]	1x230V I [A]	[kg]	A [mm]
BM1 -MVV 10/3B NC	10	1,1	8,8	60	770
BM1 -MVV 10/4B NC	10	1,5	12,8	60	850

Type	PN	P _{2,N} [kW]	3x400V I [A]	[kg]	A [mm]
BM1 -MVV 10/6B NC	10	2,2	6,0	70	920
BM1 -MVV 10/8B NC	16	3	7,7	80	1 025
BM1 -MVV 10/11B NC	16	4	9,5	80	1 115
BM1 -MVVF 10/15B NC	25	5,5	12,6	130	1 325
BM1 -MVVF 10/21B NC	25	7,5	15,8	140	1 485

