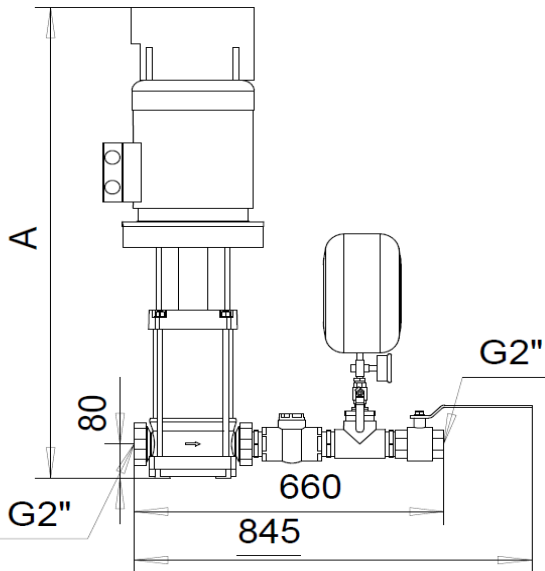
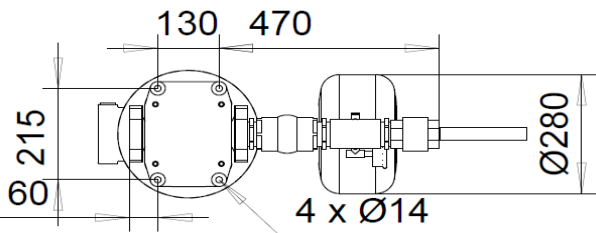


G2"

PN10-16

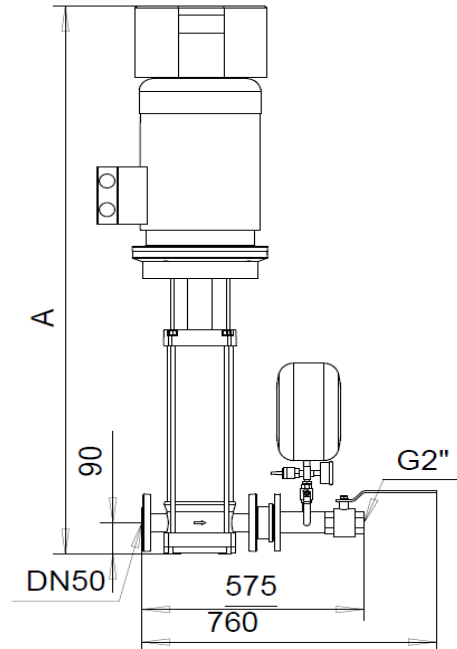
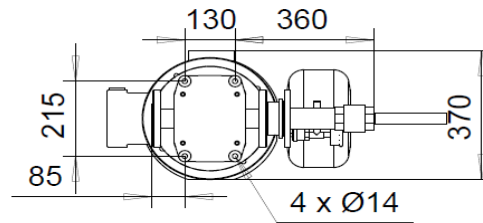
Version A = Standard



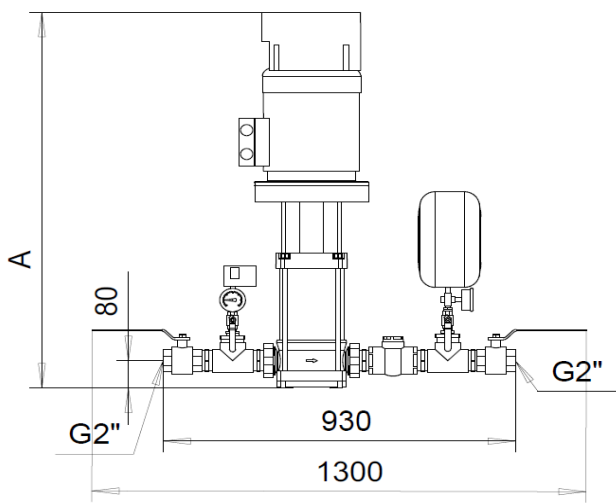
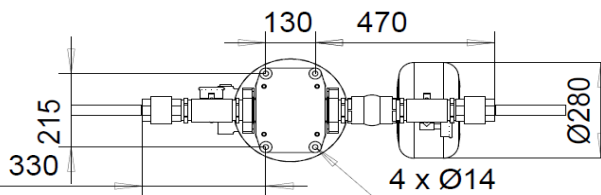
DN50 / G2"

PN25

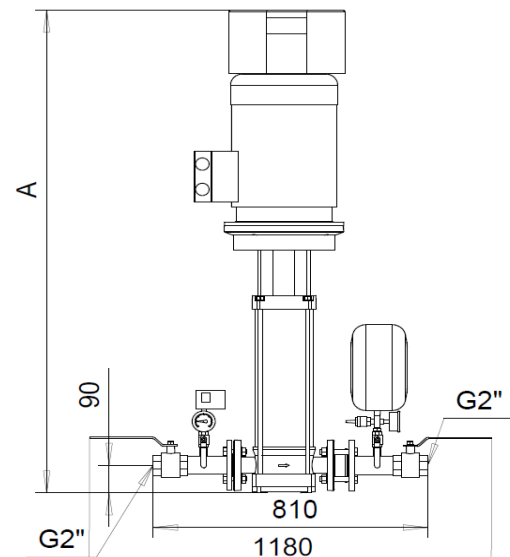
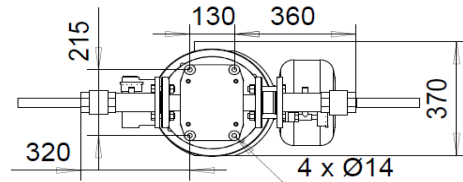
Version A = Standard



Version B



Version B



Free space 250 - 300 mm required on the top of the pump

Type	PN [bar]	P <sub>2,N</sub> [kW]	3x400V I [A]	[kg]	A [mm]
BM1 -MVV 15/2B NC	10	2,2	6,0	60	825
BM1 -MVV 15/3B NC	10	3	7,7	70	905
BM1 -MVV 15/4B NC	10	4	9,5	80	940
BM1 -MVV 15/6B NC	16	5,5	12,6	120	1 100
BM1 -MVV 15/8B NC	16	7,5	15,8	130	1 150
BM1 -MVVF 15/11B NC	25	11	23,2	210	1 295
BM1 -MVVF 15/17B NC	25	15	31,6	240	1 590

