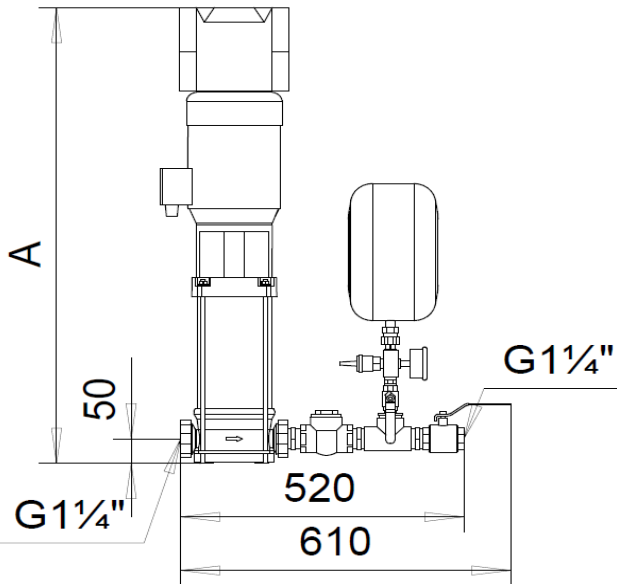
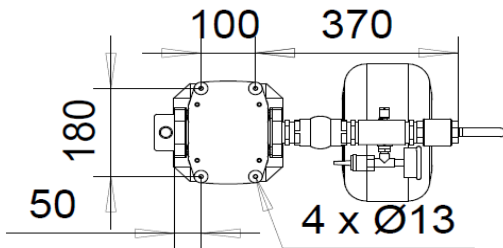


G1¼"

PN10-16

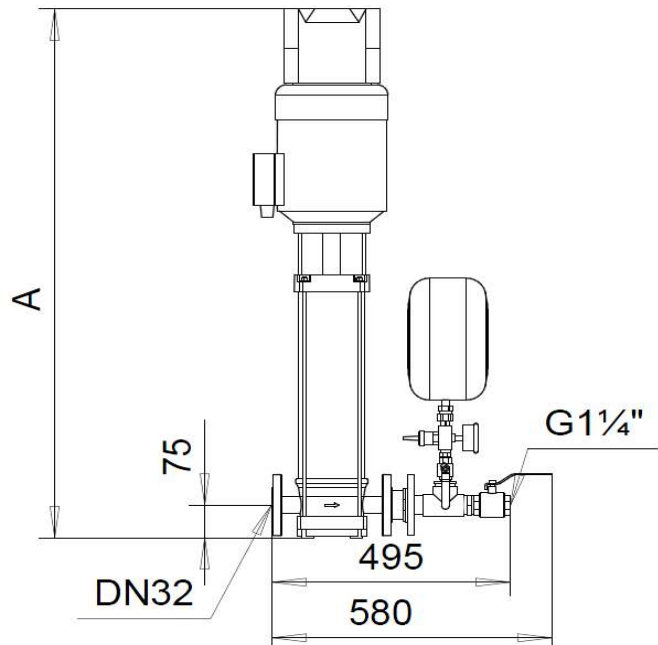
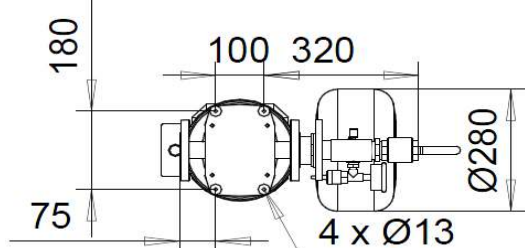
Version A = Standard



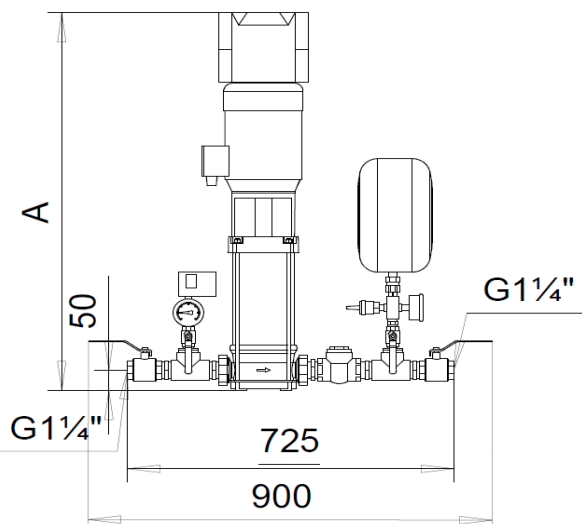
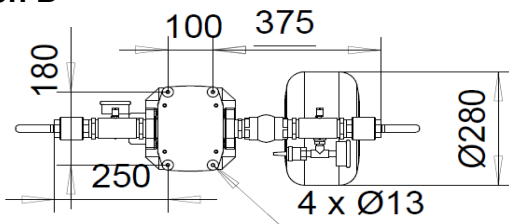
DN32 / G1¼"

PN25

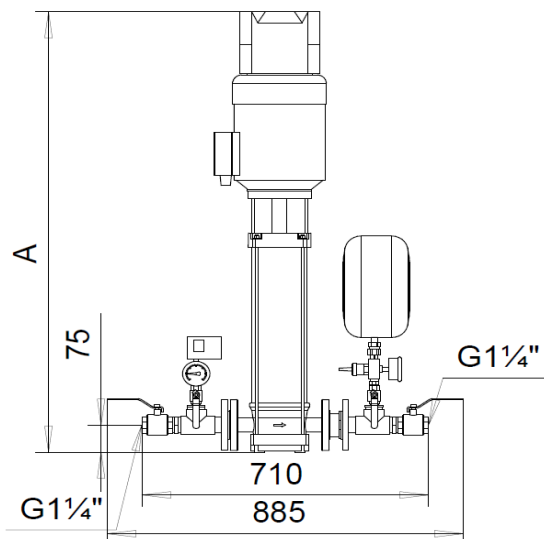
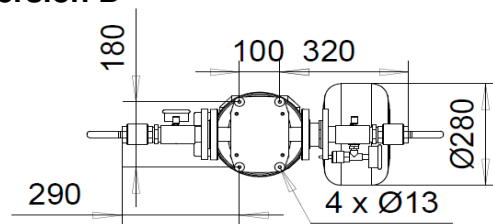
Version A = Standard



Version B



Version B



Free space 250 - 300 mm required on the top of the pump

Type	PN [bar]	P _{2,N} [kW]	1x230V I [A]	[kg]	A [mm]
BM1 -MVV 6/5B NC	10	1,1	8,8	50	755
BM1 -MVV 6/7B NC	10	1,5	12,8	50	860

Type	PN [bar]	P _{2,N} [kW]	3x400V I [A]	[kg]	A [mm]
BM1 -MVV 6/10B NC	16	2,2	6,0	60	965
BM1 -MVV 6/14B NC	16	3	7,7	70	1105
BM1 -MVVF 6/18B NC	25	4	9,5	80	1215
BM1 -MVVF 6/26B NC	25	5,5	12,6	120	1515

