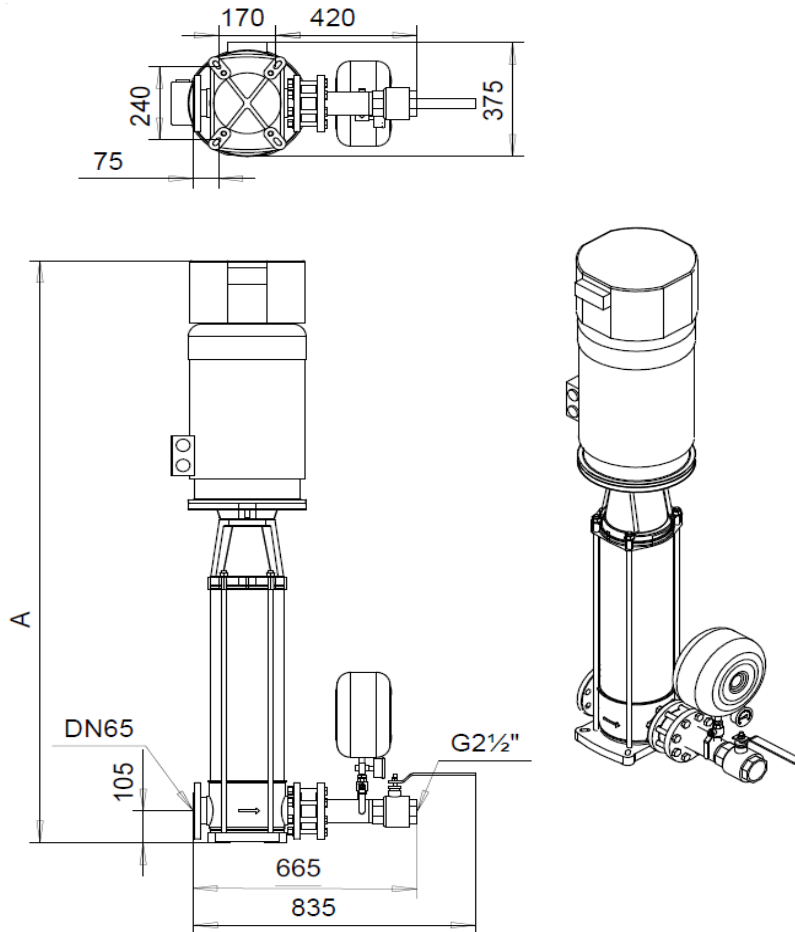


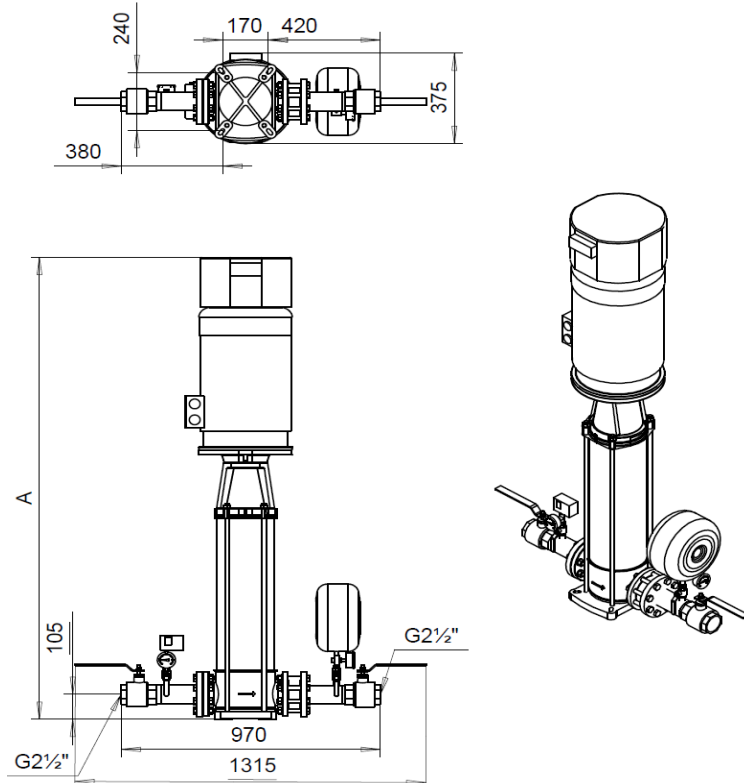
DN65 / G2½"

PN10-25

Version A = Standard



Version B



Free space 250 - 300 mm required on the top of the pump

Type	PN [bar]	P _{2,N} [kW]	3x400V I [A]	[kg]	A [mm]
BM1 MVVF 25/3 NC	10	5,5	12,6	140	1 170
BM1 MVVF 25/4 NC	10	7,5	15,8	150	1 240
BM1 MVVF 25/6 NC	16	11	23,2	240	1 530
BM1 MVVF 25/9 NC	25	15	31,6	270	1 760
BM1 MVVF 25/11 TC	25	18,5	38,9	290	1 925
BM1 MVVF 25/12 TC	25	22	45,3	330	2 040

