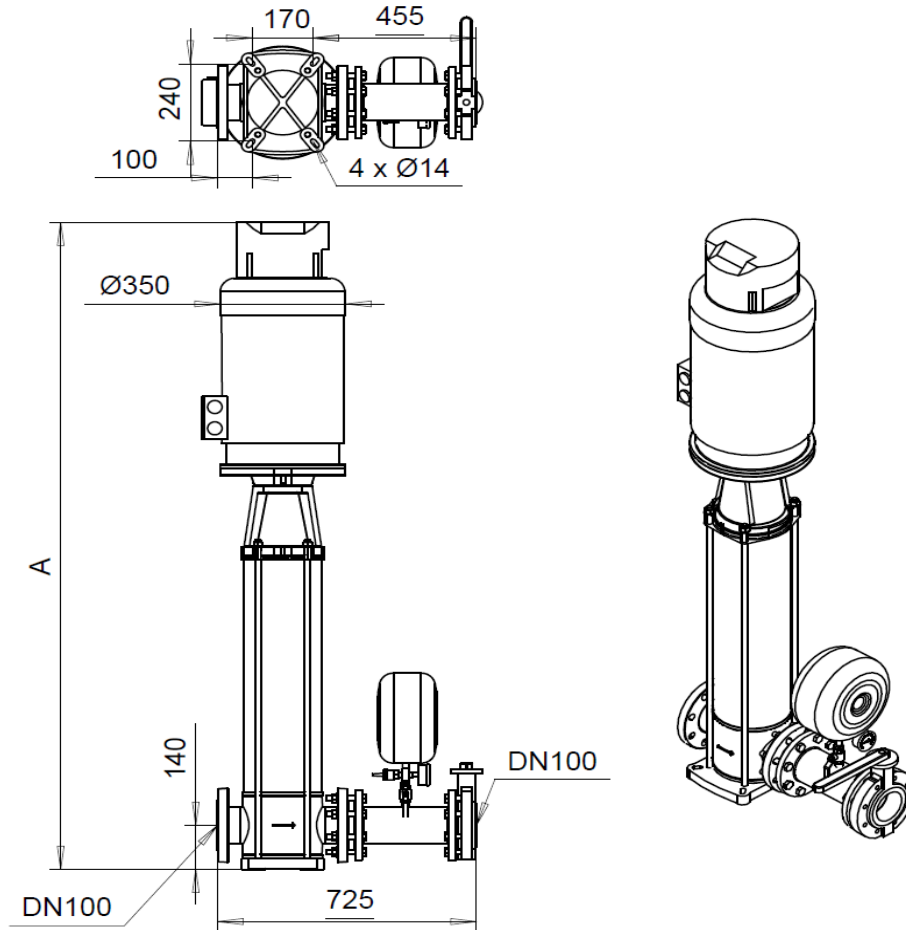


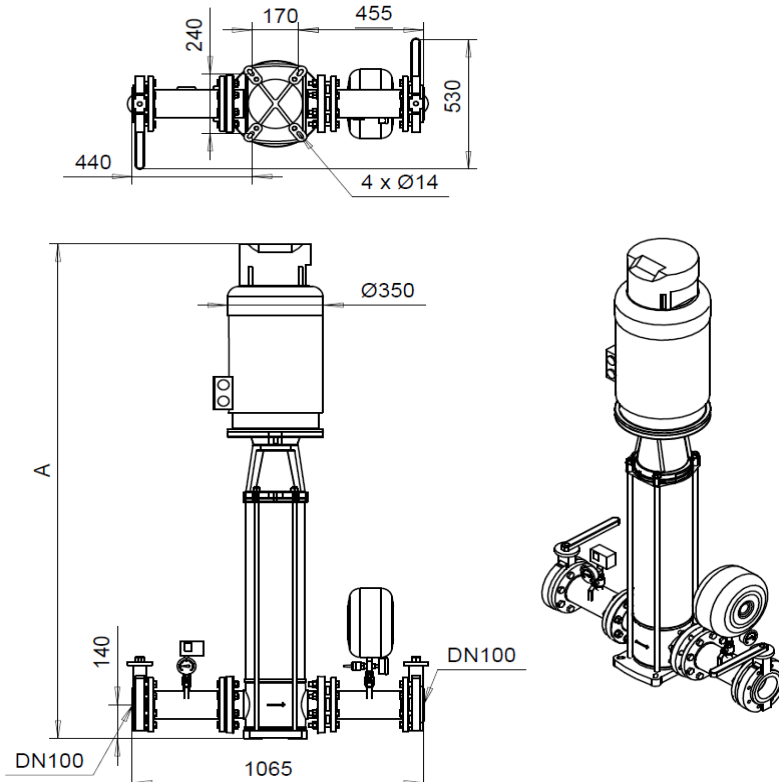
DN100

PN10-25

Version A = Standard



Version B



Free space 250 - 300 mm required on the top of the pump

Type	PN	P _{2,N} [kW]	3x400V I [A]	[kg]	A [mm]
BM1 -MVVF65-20 NC	10	5,5	12,6	130	1 180
BM1 -MVVF65-40 NC	10	11	23,2	210	1 560
BM1 -MVVF65-60 NC	16	15	31,6	230	1 775
BM1 -MVVF65-70 TC	16	18,5	38,9	250	1 905
BM1 -MVVF65-80 TC	25	22	45,3	290	2 045

