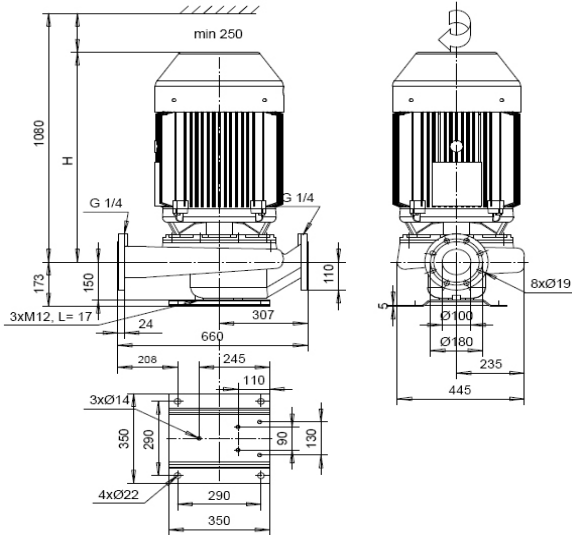


L-100S/2

LH-100S/2

LP-100S/2



50Hz	Motor 400V	P_{2N} [kW]	I_N [A]	I_{max} [A]	[kg]	H [mm]
	KP-166 H1 F31	15	26,35	33,6	255	700
	KP-166 H1 F31	18,5	32,23	33,6	260	700
	KP-186 J1 BF31	22	37,9	45,0	315	730
	KP-205 J1 F31	30	53,8	69,0	370	730
	KP-205 J1 F31	37	64,8	69,0	375	780
KP-225 H1 F32	45	77,6	82,0	460	830	
ZHO9	Motor 380-400V(460-480V)	P_{2N} [kW]	I_N [A]	I_{max} [A]	[kg]	H [mm]
	KP-166 H1 F31	15 (33,6)	26,70 (27,37)	33,6	255	700
	KP-166 H1 F31	18,5 (33,6)	32,36 (33,46)	33,6	260	700
	KP-186 J1 BF31	22 (45)	38,4 (39,2)	45,0	315	730
	KP-205 J1 F31	30 (69)	54,5 (55,9)	69,0	370	730
	KP-205 J1 F31	37 (69)	64,5 (66,3)	69,0	375	780
	KP-225 H1 F32	45 (82)	77,0 (81,3)	82,0	460	830

