

Receiver	From

Company name  
Department  
  
Phone number  
Fax no.  
e-mail address

**Requested data**

Fluid	Water	Nominal flow	l/s
Solids	Type	Nominal head	m
	Weight %	0	Static head
pH-value at t A		Available system NPSH	m
Operating temperature t A °C 20		Inlet pressure	kPa 0
Density at t A	kg/m³ 998.3	Altitude	m 100
Kin. viscosity at t A cSt 1.005			
Vapour pressure at t A kPa 2.34			

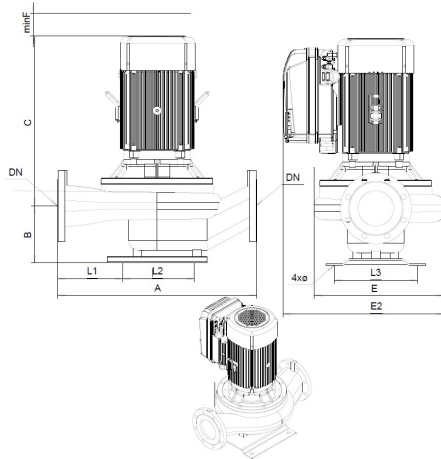
**Pumpe**

Pumpenbezeichnung	AL-1129/4MD 5.5kW	Impeller type	
Pumppu- ja positionumerot		Impeller construction	
Frame size		Impeller Ø	Max. mm 222
Design	In-line pump with frequency converter MD		Designed mm 222
Weight	171		Min. mm 222
Self-suctioning	<input type="checkbox"/> Yes	Flow	Nominal l/s 34
Speed	1/min 1800		Max- l/s 34
Max. operating pressure	kPa 216		Min- l/s 0
Max. diff. pressure	kPa 216	Head	Nominal m
No. stages	1		@ Qmax m 11.8
No. diffusers	1		@ Qmin m 22
Suction port	Pressure rating	Head H(Q=0)	m 22
	Nominal pipe size	NPSH 3%	m
Discharge port	Standard	Shaft power	kW
	Pressure rating	Max. shaft power at max. impeller	kW 5.31
	Nominal pipe size	Efficiency	
Standard			

**Materials**

**Pump parts**

Pump	Pump: Grey cast iron PN10	Shaft seal	Standard seal
Impeller	Cast iron		



**Dimensions mm**

A	700
B	200
C	555
DN	DN125
E	456
E2	565
L1	205
L2	290
L3	290
minF	250
Ø	22

**Motor**

**Coupling**

Type	Kolmeks KP-133 G2 F31 5,5kW	Type	
Specific design	3-phases motors / 50 Hz / Pole pairs 2	Series	
Rated power kW	5.5	Speed 1/min	1500
Electric voltage V	3~ 400	Spacer length	mm
Degree of protection	IP 55	Electric current A	10.5
Type of protection	--	Frame size	133
			Max input current
			Max input current

Remarks:

# Performance curves

AL\_-1129/4 MD 5,5kW

Revision number

Page  
2

Customer

Supplier

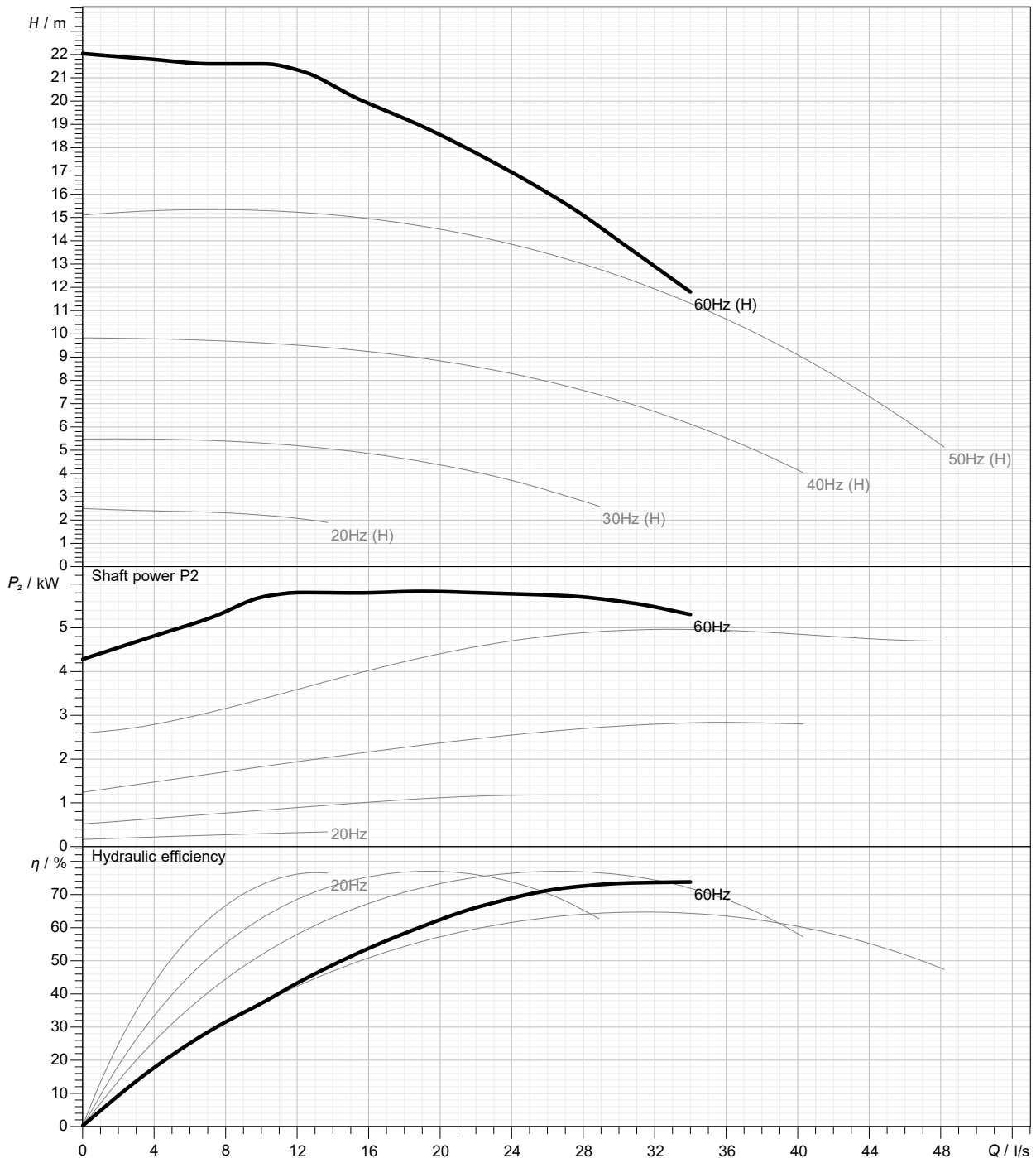
Company name  
Dept.  
Editor  
Phone number  
Fax no.  
E-mail

	mm	Flow			Head		Shaft power P2			Impeller type	
		Value range	Min. l/s	Max. l/s	Max. l/s	m	Max. m	kW	kW	Max. kW	Impeller construction
Actual	222	0	34	34	22	11.8	4.28	5.31	5.31	Outlet width	mm
Min.	222			13.1	2.5	1.97	0.162	0.336	0.489	Frequency	50 Hz
Max.	222			34	22	11.8	4.28	5.31	5.31	Speed	1/min 1800

Power data referred to: ; 20°C; 998.3kg/m³; 1.005cSt

Reference no.  
Frame size

Tolerance according to: No testnorm defined for this product



Project

Business process ID

Issue date  
2022-09-07

Last update  
2022-09-07